



ETConcept

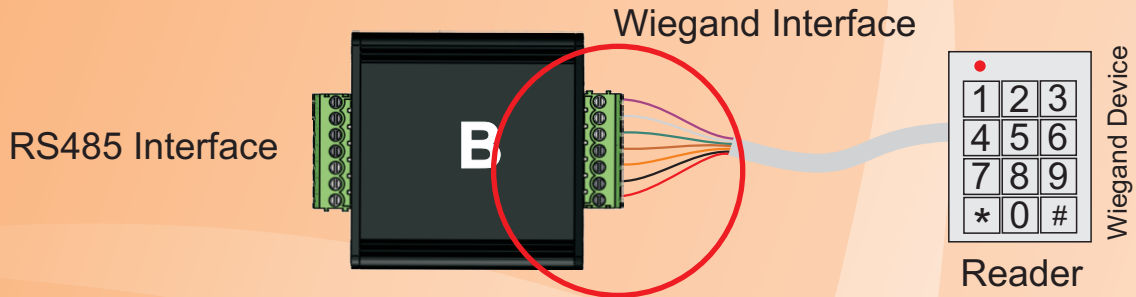
W2RS485

Wiegand to RS485 Converter

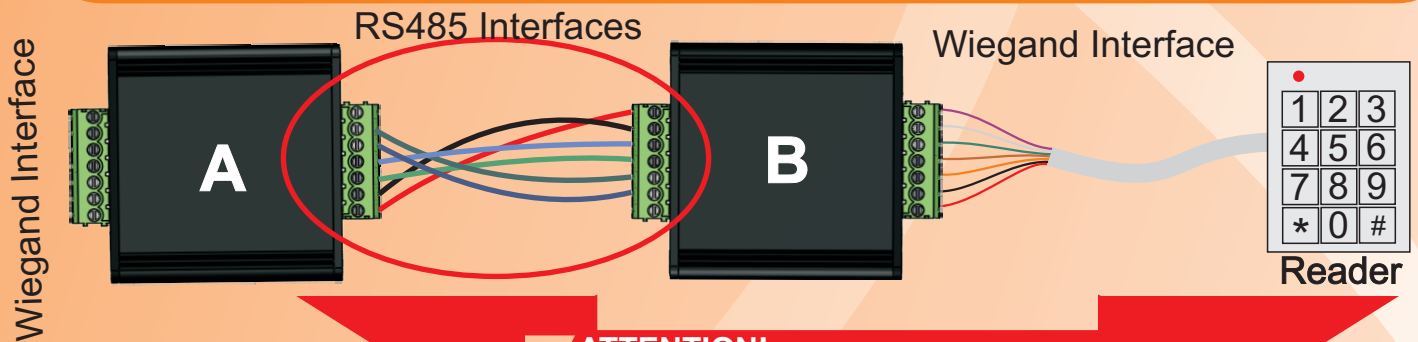


## Quick Installation Guide

**1** Connect the Wiegand device to the Converter's Panel «Wiegand Interface»



**2** Connect the RS485 interfaces of both converters Converter's (A) TX to the Converter's (B) RX and *vice-versa*



### ATTENTION!

If converters have different power supplies then BGND of converter A must be connected to the BGND of converter B.

**3** Connect Converter A to the controller  
Connect the Wiegand and the Power(PWR e GND) signals

